

"IMPORTANT SAFETY INSTRUCTIONS"

This Portable Luminaire has a polarized plug (one blade is wider than the other) as a safety feature to reduce the risk of electric shock. This plug will fit in a polarized outlet only one way. If the plug does not fit fully in the outlet, reverse the plug. If it still does not fit, contact a qualified electrician. Never use with an extension cord unless the plug can be fully inserted. Do not alter the plug.

MOUNTING INFORMATION

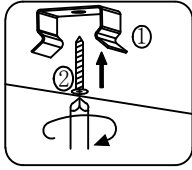
1. Read all instructions.
2. The maximum distance between the Portable Luminaire and the receptacle should not exceed the length of the supply cable.
3. For best results, have lighting professionally installed by a qualified Licensed Electrician.
4. Interconnection of fixtures must remain within the current rating and the maximum number of units in accordance with the table below:

Model	Input Voltage (Vac)	Input Current (A)	Input Wattage (W)	Maximum Number of Interconnected units
EL46-LED/277/HO	120 V, 60 HZ	0.182A	20 W	Maximum 19 units interconnected

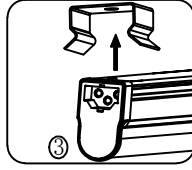
Max. power 400W for all interconnected units.

5. The Maximum distance between interconnected units should not exceed the length of the interconnecting cable.
6. There are no user serviceable parts inside light. Do not open fixture or damage may result and will void warranty.
7. The LEDs on this fixture are not user serviceable. The LED strip cannot be replaced.
8. This unit is NOT dimmable. Do not connect to a dimmer or damage to the light may result.
9. This unit is suitable for surface or recessed mounting
10. The LEDs on this fixture are not user serviceable. The LED strip cannot be replaced.
11. This unit shall be attached to a mounting surface such as metal or wood, and if attached to drywall, the screws shall penetrate the drywall and still allow 1/2 inch to penetrate stud
12. SAVE THESE INSTRUCTIONS
13. AC Only
14. SUITABLE FOR OPERATION IN AMBIENT NOT EXCEEDING 40°C

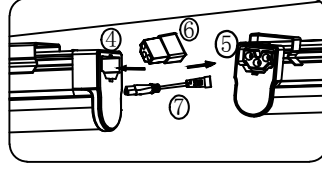
INSTALLATION



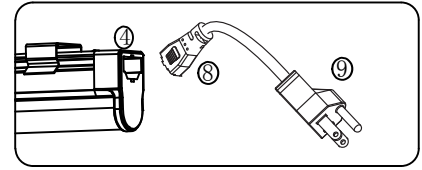
Step 1: Attach mounting clips (1) to desired surface with enclosed screws(2)



Step 2: Snap or slide light (3) into the clips



Step 3: Multiple units (4&5) can be interconnected using the supplied Direct Connector (6) or an optional Connecting Cable (7).



Step 4: For Outlet operation, connect Power Cable (8) to Light (4). Then connect Power Cable (9) to outlet.

Technical Specifications

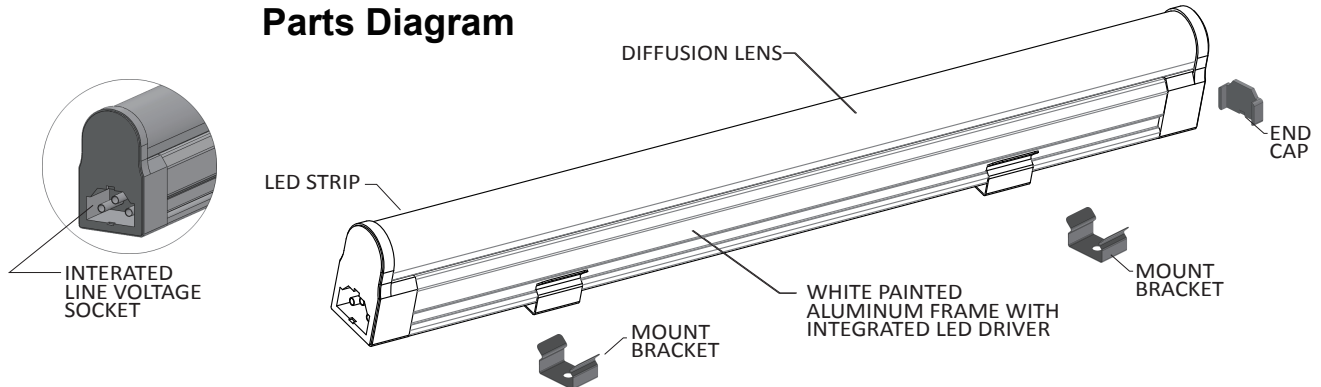
Input Voltage: 120VAC only

Input Frequency: 60Hz

Power Factor: $\lambda > 0.9$

Ambient Temperature: 0°C ~ 40°C

Parts Diagram



Please call 1-800-336-HERA for further assistance if needed.

Cleaning Instructions: Only clean with a mild cleaning agent using a soft cloth

No parts of this publication may be reproduced without the prior permission of the publishers.

Hera[®]

2018.11.15 DS