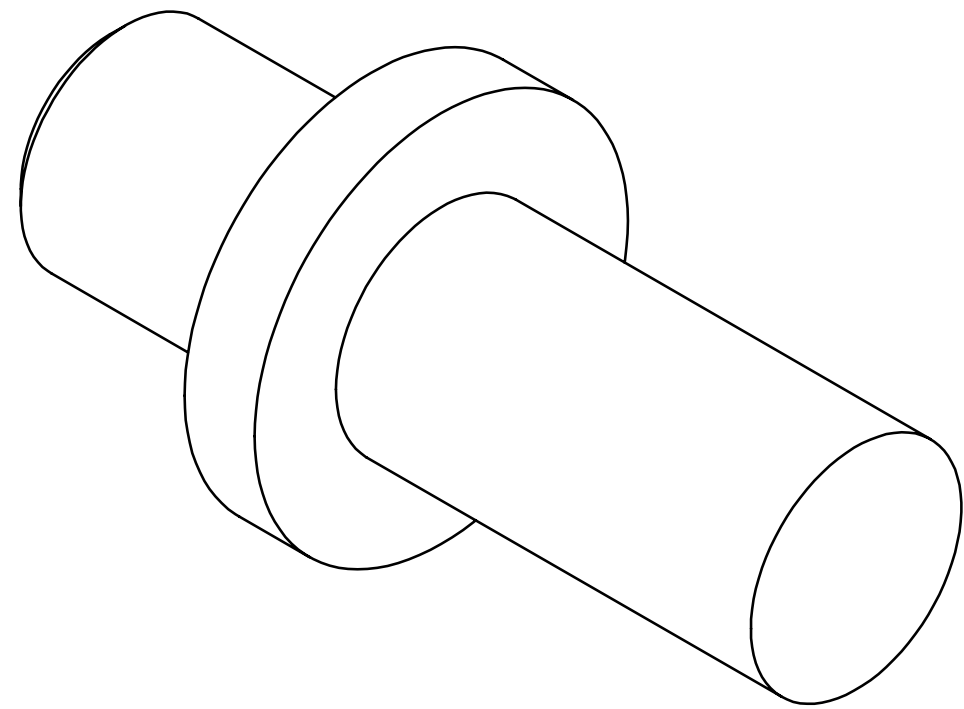
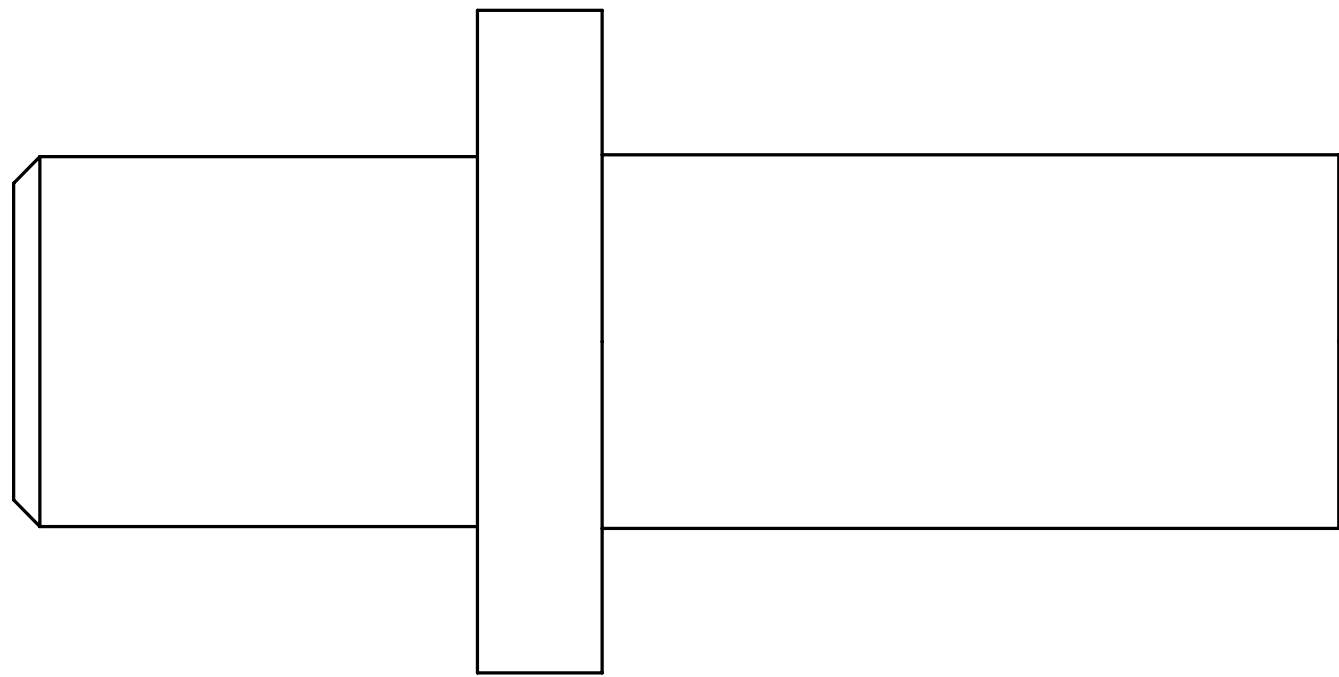


PART REVISION HISTORY					
REV.	DESCRIPTION	ECO	DWN	CHKD	DATE
C	REMOVED TAPER & UPDATED TOLERANCES		Ross A. Loeffler	Greg A Olson	07/13/2020



CONFIDENTIALITY STATEMENT
 PROPRIETARY AND CONFIDENTIAL. THE INFORMATION CONTAINED IN THIS DRAWING IS THE SOLE PROPERTY OF ACTIVAR PLASTIC PRODUCTS GROUP, INC. ANY REPRODUCTION IN PART OR AS A WHOLE WITHOUT THE WRITTEN PERMISSION OF ACTIVAR PLASTIC PRODUCTS GROUP, INC. IS PROHIBITED.
 COPYRIGHT 2017 ACTIVAR PLASTIC PRODUCTS GROUP, INC.



9650 NEWTON AVE. S., BLOOMINGTON, MN 55420

TOLERANCES UNLESS OTHERWISE SPECIFIED (U.O.S.)

DECIMALS	C'BREAKS	FRAC.	MACH. FIN.
.XX = ± .030	.010/.020	1/16	125
.XXX = ± .015	FILLETS	ANGLES	1°
.XXXX = ± .010	.030 MAX		

MATERIAL	PVC	TITLE:	DIVIDED SHELF PIN
FINISH	White	SIZE	B
DESIGNED	Matt M. Crowell	DATE	04/12/2018
CHECKED	Greg A Olson	DATE	09/27/2018

PART NO.	LAS-999-584	PART REV.	C
DWG. NO.	LAS-999-584	SCALE:	NONE
SHEET	1 OF 1		

