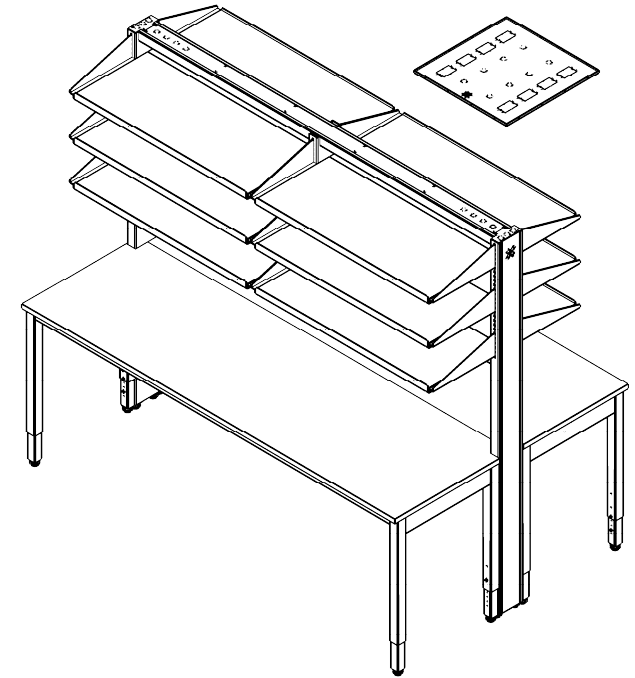


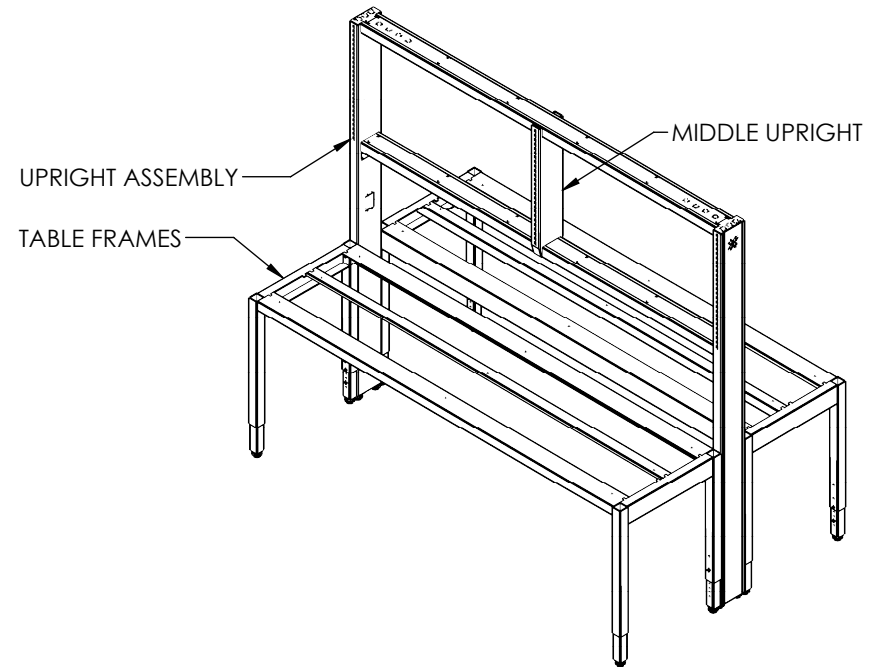
FLEX SYSTEM SKU GUIDE FOR VERSION 20.05.01 RELEASE



SUB-ASSEMBLIES TO BE CHOSEN TO COMPLETE THE SYSTEM: (DETAILS ON FOLLOWING PAGES)

- 1) UPRIGHT+FRAME(s) - SHEET 2
- 2) COUNTERTOPS - SHEET 5
- 3) SHELVES - SHEET 6
- 4) CEILING PANEL (OPTIONAL) - SHEET 7

UPRIGHT ASSEMBLY + TABLE FRAME (s)

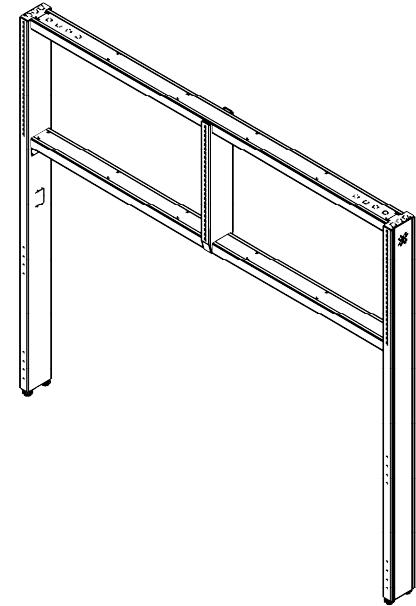


**SHOWN IN PICTURE,
FLEX-96DS**

- THIS SKU KIT CONSISTS OF AN UPRIGHT ASSEMBLY AND TABLE FRAME(s)
- A DOUBLE-SIDED SKU WILL ADD TWO FRAMES
- COUNTERTOPS NEED TO BE ADDED SEPARATELY
- MIDDLE UPRIGHT GETS ADDED AT WIDTHS 54" AND ABOVE

| PRODUCT LINE | - | WIDTH | DOUBLE/SINGLE-SIDED |
|--------------|---|------------------------------------|---------------------|
| FLEX | - | 36, 42, 48, 54, 60, 66, 72, 84, 96 | DS/SS |

UPRIGHT ASSEMBLY ONLY

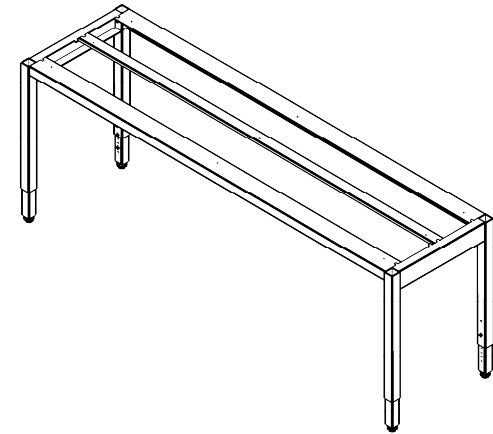


**SHOWN IN PICTURE,
FXUA-96**

- THIS SKU KIT CONSISTS OF A SINGLE UPRIGHT ASSEMBLY ONLY
- THIS SKU IS NOT NEEDED IF A SELECTION WAS MADE FROM SHEET 2.

| PRODUCT LINE | - | WIDTH |
|--------------|---|---------------------------------------|
| FXUA | - | 36, 42, 48, 54, 60, 66, 72, 84, 96 |

TABLE FRAME ONLY

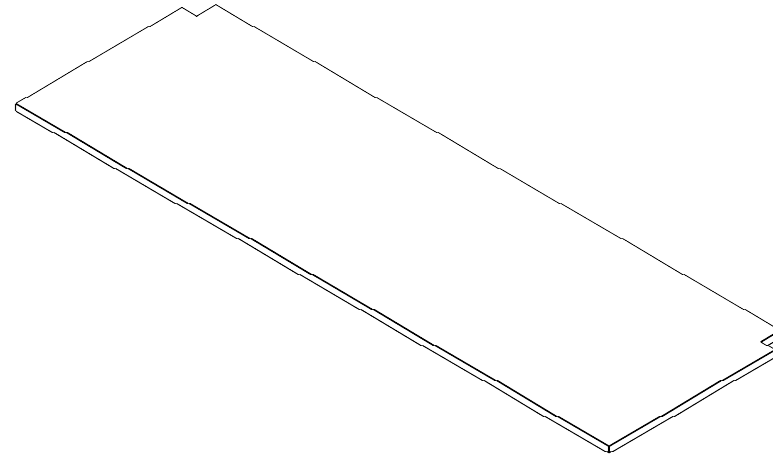


**SHOWN IN PICTURE,
FXTF-96DS**

- THIS SKU KIT CONSISTS OF A SINGLE FRAME ONLY
- TWO FRAMES NEED TO BE ADDED FOR A DOUBLE-SIDED (DS) SYSTEM
- COUNTERTOPS NEED TO BE ADDED SEPARATELY
- THIS SKU IS NOT NEEDED IF A SELECTION WAS MADE FROM SHEET 2.

| PRODUCT LINE | - | WIDTH | DOUBLE/SINGLE-SIDED |
|--------------|---|------------------------------------|---------------------|
| FXTF | - | 36, 42, 48, 54, 60, 66, 72, 84, 96 | DS/SS |

COUNTERTOPS



**SHOWN IN PICTURE,
FX-PRL1.0-36X30-DS**

- THIS SKU CONSISTS OF ONE COUNTERTOP
- TWO COUNTERTOPS NEED TO BE ADDED FOR A DOUBLE-SIDED (DS) SYSTEM
- USE IPRL1.0 FOR INTERNAL PHENOLIC TOP

| PRODUCT LINE | | | - | WIDTH | X | DEPTH | - | DOUBLE/SINGLE-SIDED |
|--------------|---|------------------------------|---|---|---|-------|---|---------------------|
| FX | - | PRL1.0, IPRL1.0, ER1.0 | - | 36, 42, 48, 54, 60, 66, 72, 84, 96 | X | 30 | - | DS/SS |

ONEPOINTE SOLUTIONS FLEX SYSTEM SKU GUIDE

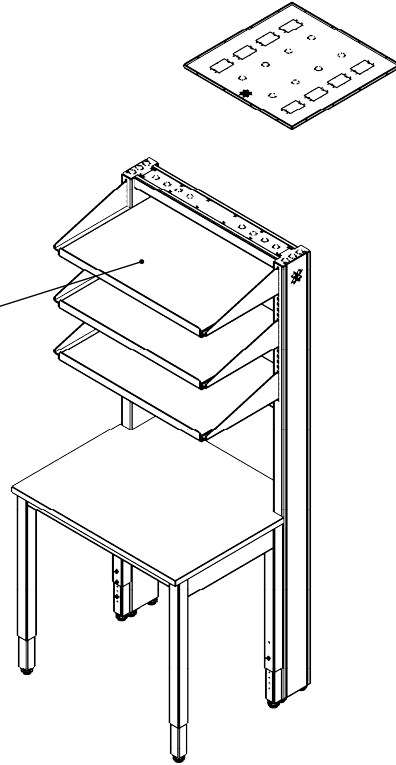
DRAWING DATE: 2/9/2022
DRAWN BY: MKAMAT

SHELVES

36" SINGLE-SIDED FLEX TABLE

FXSAS-SS-3616-ANG-PCS

3 x FXSAS-SS-3616-ANG-PCS
required for 3 rows of shelf

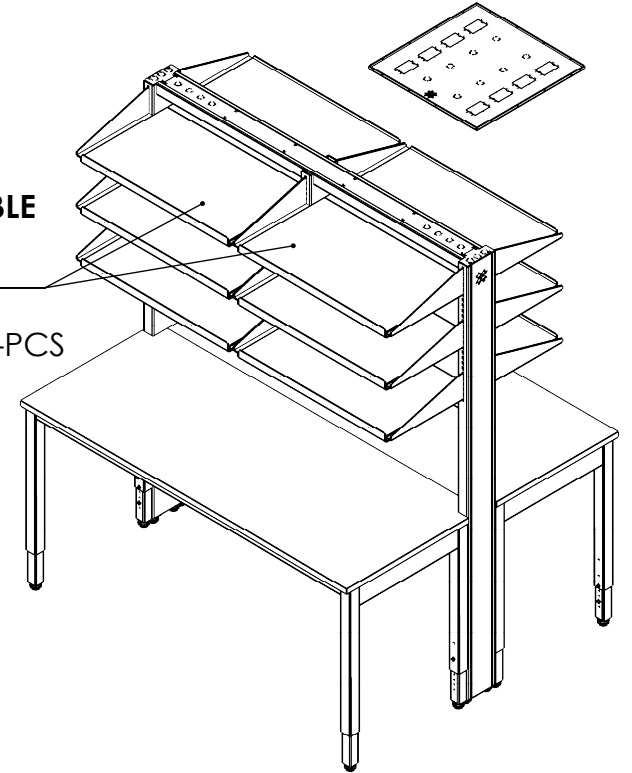


72" DOUBLE-SIDED FLEX TABLE

FXSAS-DS-3616D-ANG-PCS

12 x FXSAS-DS-3616D-ANG-PCS
required for 3 rows of shelf
on each side of the FLEX.

Half a row can be paired
with a wall cabinet.



- THIS SKU CONSISTS OF ONE
SEGMENT OF SHELF
- TWO SHELVES NEED TO BE ADDED
TO COMPLETE A ROW OF SHELF FOR
WIDTHS 54" AND ABOVE.

- WIDTH OF SINGLE SHELF FOR 16"
DEPTH

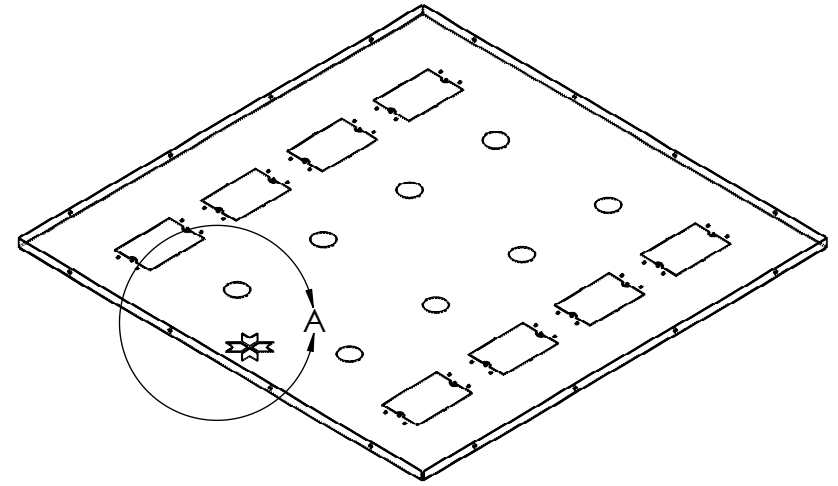
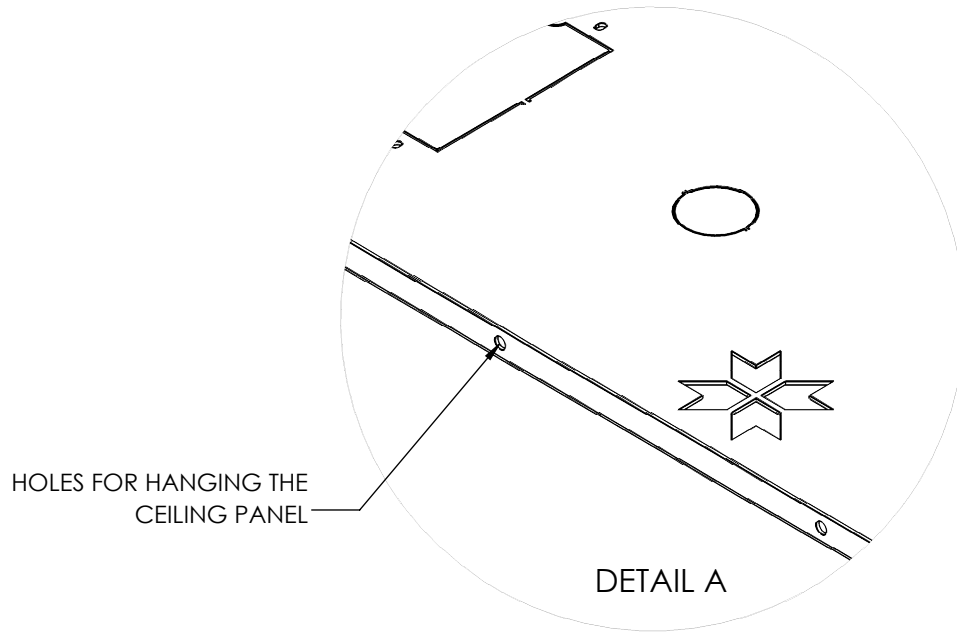
- 36" - 3616
- 42" - 4216
- 54" - 2716D
- 60" - 3016D
- 66" - 3316D
- 72" - 4216D
- 84" - 4216D
- 96" - 4816D

| PRODUCT LINE | DOUBLE/SINGLE-SIDED | DIMENSION | BRACKET PROFILE | SHELF LIP |
|--------------|---------------------|--|-----------------|-----------|
| FXSAS | DS/SS | 3613, 4213, 4813, 2713D, 3013D, 3313D, 3613D, 4213D, 4813D, 3616, 4216, 4816, 2716D, 3016D, 3316D, 3616D, 4216D, 4816D | ANG | PCS |

ONEPOINTE SOLUTIONS FLEX SYSTEM SKU GUIDE

DRAWING DATE: 2/9/2022
DRAWN BY: MKAMAT

CEILING PANEL



**SHOWN IN PICTURE,
FXCP-2424**

- A CEILING PANEL CAN BE SHARED BY 2 ADJACENT FLEX SYSTEMS. CEILING HEIGHT, FLEX TABLE WIDTH, CEILING PANEL LOCATION WILL AFFECT THE NUMBER OF CEILING PANELS REQUIRED.
- THEY CAN HOLD A MAXIMUM OF 4 PLUMBING SERVICES AND 4 ELECTRICAL CONNECTIONS PER FLEX SYSTEM WHEN SHARED.

| PRODUCT LINE | - | WIDTH | DEPTH |
|--------------|---|-------|--------|
| FXCP | - | 24 | 24, 12 |