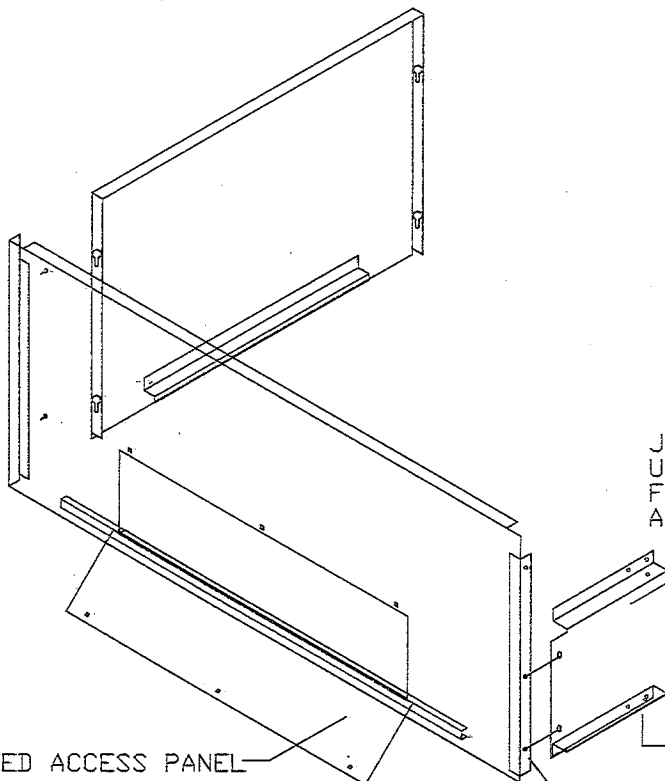


HINGED ACCESS PANEL

ANGLES REST ON HOOD SCREW IN PLACE

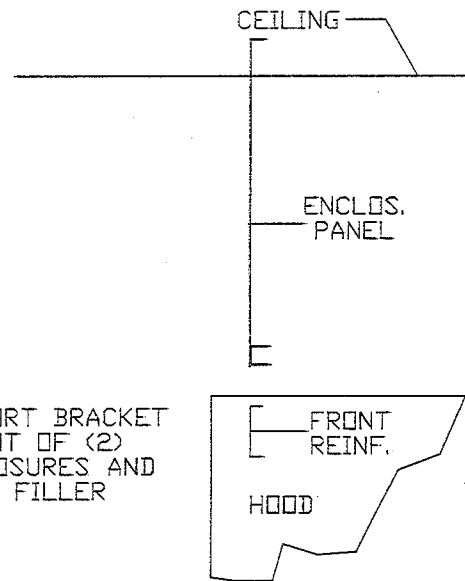
SCREW IN #8 TEK SCREWS TO PANEL. ALLOW ENOUGH SPACE FOR KEY WAY SLOT. < DO NOT TIGHTEN DOWN >



HINGED ACCESS PANEL

JOINT SUPPORT BRACKET USE AT JOINT OF (2) FRONT ENCLOSURES AND AT WALL OR FILLER

SCREW TO SIDE FRAME



CEILING

ENCLOS. PANEL

FRONT REINF.

HOOD

SECTION VIEW

THRU CEILING STYLE HOOD ENCLOSURE
< TOP OF HOOD TO CEILING >

THIS END BUTTS TO ANOTHER ENCLOSURE, SIDE WALL OR FILL