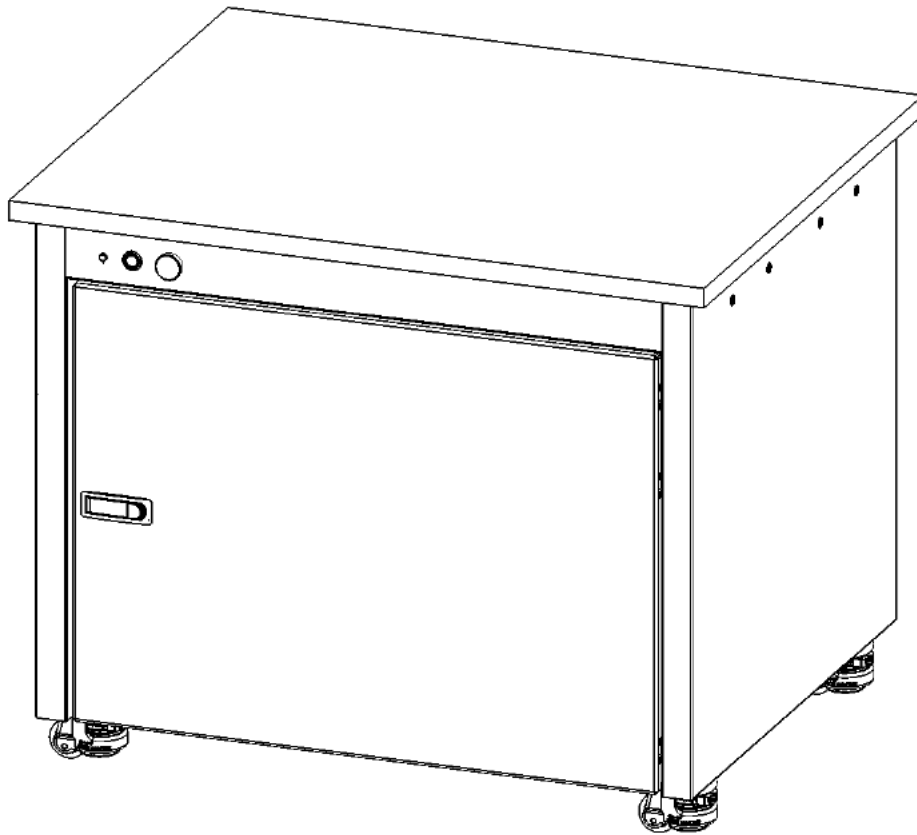


# ONEPOINTE SOLUTIONS

LABORATORY | INDUSTRIAL | COMMERCIAL



## MASS SPECTROMETRY BENCHES

AN INFORMATIONAL GUIDE FOR WORKSTATIONS DEDICATED TO  
MASS SPEC, HPLC & GC INSTRUMENTS

# Table of Contents

Overview	2
Compact Bench	3
Compact GC Bench	4
Work Bench	5
GC Bench	6
LC Bench	7
Powder Coat Options & Accessories	8
Contact & Nationwide Service	9

## Mass Spec Sku Chart

CATEGORY	-	TYPE	-	HEIGHT (in), HH	WIDTH (in), WW	DEPTH (in), DD
MSPEC		COMPACT = CMPT		30", 33", 36"	36", 48"	30", 34"
		COMPACT GC = CMPT-GC		30", 33", 36"	36", 48"	30", 34"
		WORK = WRK		30", 33", 36"	60", 72", 84", 96"	30", 34"
		GC = GC		30", 33", 36"	60", 72", 84", 96"	30", 34"
		LC = LC		30", 33", 36"	60", 72", 84", 96"	30", 34"

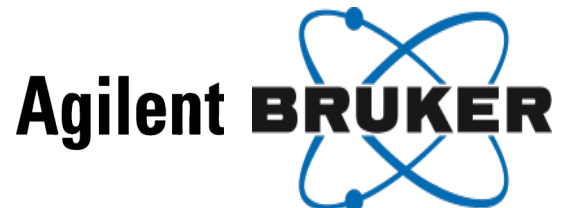
**Example: MSPEC-GC-338430**

GC Mass Spec with 33" Height x 84" Width x 30" Depth

## Overview

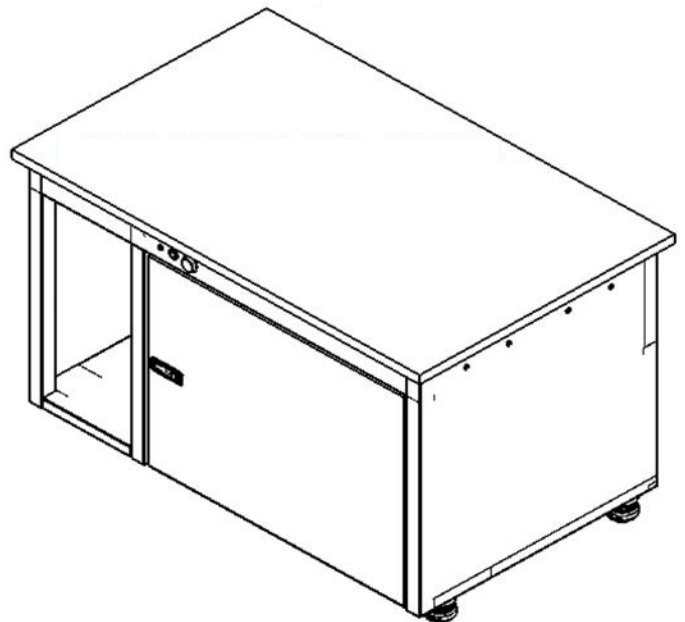
We provide custom-tailored solutions for complex lab instrumentation including Mass Spectrometry (MS)/LC/GC/HPLC equipment. MS instruments from the leading industry brands require custom enclosures and accessories.

At OnePointe Solutions, we partner and work directly with the following brands above to design the highest quality carts and tables for their instruments.



Mass spec benches are used to determine the mass-to-charge ratio of sample containing at least one molecule.

They have broad range of usage from rare drug discovery, pesticide screening to food and beverage analysis and other bioscience research.

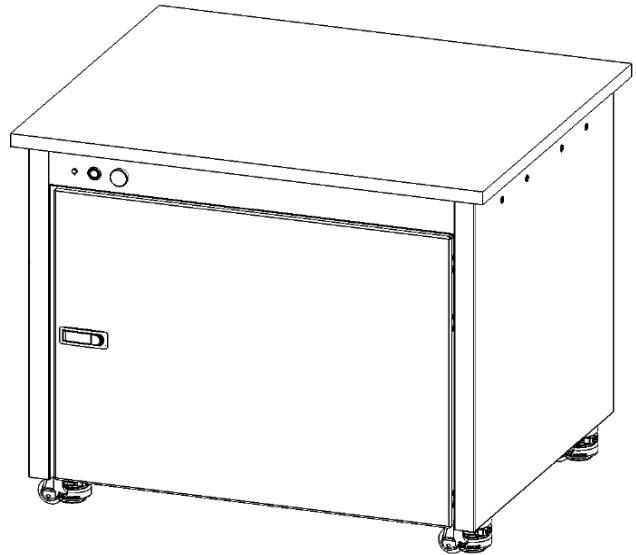


# Compact Bench

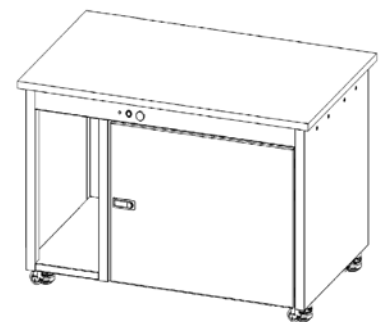
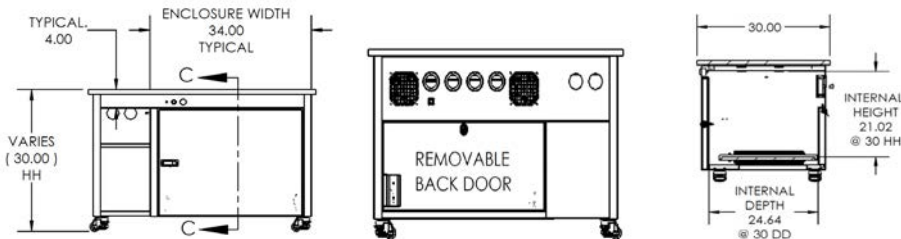
SKU: MSPEC-CMPT-HHWDD

## Features

- Standard 1" Lab Grade Phenolic Resin (Black) & Top Tray Surface
- Pull Out & Locking Pump Tray: 23.5" (W) x 21" D
- Sound Dampening Foam
- Temperature Sensors & Fail-Safe Alarm
- Rear Mounted Power Supply
- LED Light Start/Stop Switch
- (2) 205 CFM Fans
- (4) Grommet Holes
- GDR Casters
- Removable Back Door
- 5 Year Warranty



Model Shown: MSPEC-CMPT-303630



Model Shown: MSPEC-CMPT-304830

The Compact model is our most basic mass spec workbench. The 36" wide Compact Bench is a pump enclosure on wheels and the 48" wide Compact Bench (pictured right) has an 11" wide storage compartment to the left of the pump enclosure.

The Compact Bench is available in a GC Kit configuration (see page 7) but not in an LC kit configuration (see page 8).

## CONFIGURATIONS & TECHNICAL FEATURES

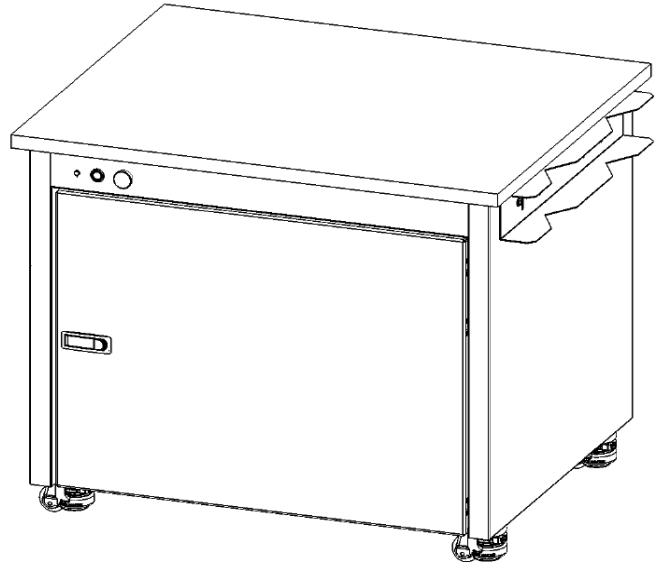
HEIGHT	WIDTH	DEPTH	WEIGHT RANGE*	COLOR
30", 33", 36"	36", 48"	30", 34"	349.88-490.63 lbs *VARIES BASED ON CONFIGURATION	VARIES

# Compact GC Bench

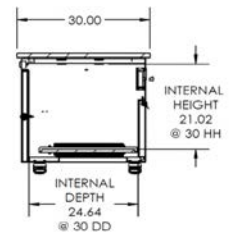
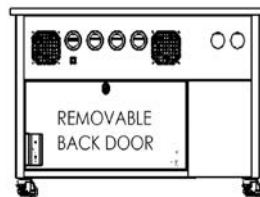
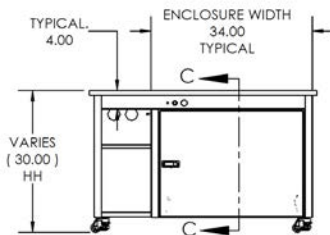
SKU: MSPEC-CMPT-GC-HHWDD

## Features

- Standard 1" Lab Grade Phenolic Resin (Black) & Top Tray Surface
- Pull Out & Locking Pump Tray: 23.5" (W) x 21" D
- Sound Dampening Foam
- Temperature Sensors & Fail-Safe Alarm
- Rear Mounted Power Supply
- LED Light Start/Stop Switch
- (2) 205 CFM Fans
- (4) Grommet Holes
- GDR Casters & Gas Cylinder Bracket
- Removable Back Door
- 5 Year Warranty



Model Shown: MSPEC-CMPT-GC-303630



The Compact GC model, similar to our Compact Bench, has a GC kit which is a gas tank tie down bracket that gets fastened to the right side of the workbench. There are (4) rivnuts on the right side panel of every mass spec workbench so that **ANY** model of the quantum mass spec bench line can receive a GC kit.

The kit includes adjustable straps to secure the gas tank to the side of the workbench. (2) cylinders can be secured to the GC kit. The GC kit allows the user to secure gas tanks to the right side of the mass spec bench. Gas chromatography mass spectrometry (GC-MS) is an application of mass spectrometry that requires cylinder storage tanks to be located nearby.

## CONFIGURATIONS & TECHNICAL FEATURES

HEIGHT	WIDTH	DEPTH	WEIGHT RANGE*	COLOR
30", 33", 36"	36", 48"	30", 34"	232-336 lbs *VARIES BASED ON CONFIGURATION	VARIES

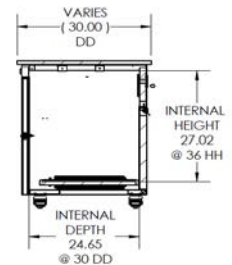
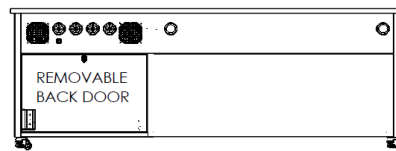
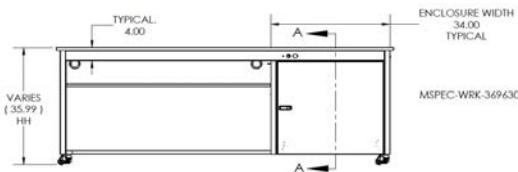
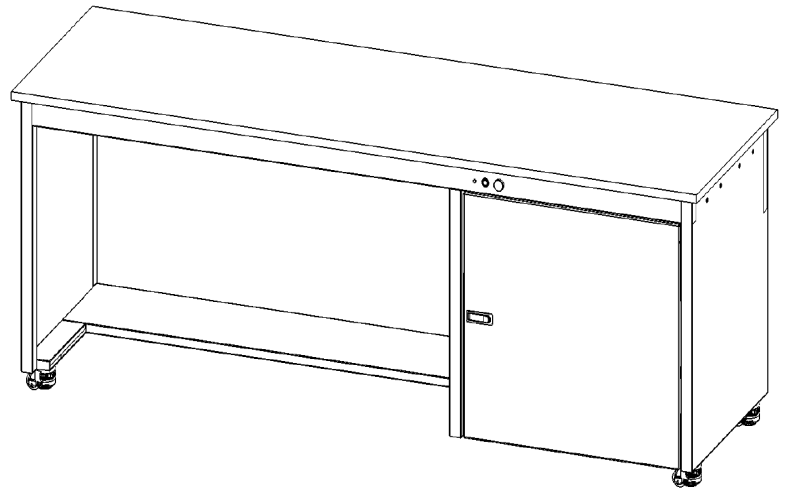
# Work Bench

SKU: MSPEC-WRK-HHWWDD

Model Shown: MSPEC-WRK-369630

## Features

- Standard 1" Lab Grade Phenolic Resin (Black) & Top Tray Surface
- Pull Out & Locking Pump Tray: 23.5" (W) x 21" D
- Sound Dampening Foam
- Temperature Sensors & Fail-Safe Alarm
- Rear Mounted Power Supply
- LED Light Start/Stop Switch
- (2) 205 CFM Fans
- (4) Grommet Holes
- GDR Casters
- Compatible in GC & LC Kit Configurations
- Removable Back Door
- 5 Year Warranty



The Work Bench is our most basic mass spec workbench with additional workspace next to the pump enclosure. The model comes with a lower half-depth shelf and (2) grommet holes in the knee space as standard.

All Work Bench configurations are compatible with our suspended cabinets, with limits on how wide and tall the suspended cabinets can be. The cabinets will be mounted 4" from the top surface. In addition, the Work Bench model is available in both GC and LC kit configurations.

## CONFIGURATIONS & TECHNICAL FEATURES

HEIGHT	WIDTH	DEPTH	WEIGHT RANGE*	COLOR
30", 33", 36"	60", 72", 84", 96"	30", 34"	494.38-755.63 lbs *VARIES BASED ON CONFIGURATION	VARIES

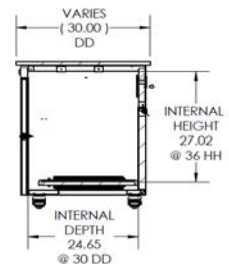
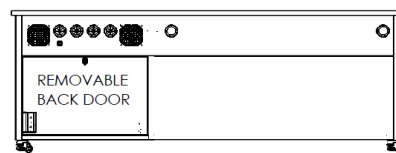
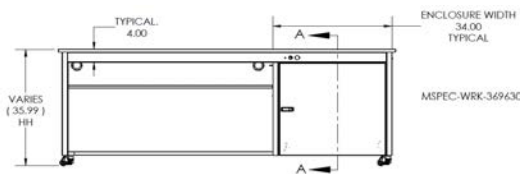
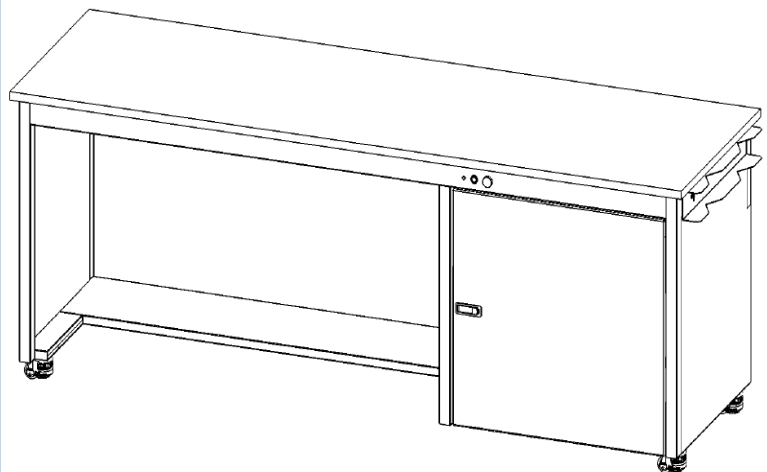
# GC Bench

SKU: MSPEC-GC-HHWWDD

Model Shown: MSPEC-GC-369630

## Features

- Standard 1" Lab Grade Phenolic Resin (Black) & Top Tray Surface
- Pull Out & Locking Pump Tray: 23.5" (W) x 21" D
- Sound Dampening Foam
- Temperature Sensors & Fail-Safe Alarm
- Rear Mounted Power Supply
- LED Light Start/Stop Switch
- (2) 205 CFM Fans
- (4) Grommet Holes
- GDR Casters & Gas Cylinder Bracket
- Removable Back Door
- 5 Year Warranty



The GC Bench model has a GC kit which is a gas tank tie down bracket that gets fastened to the right side of the workbench. There are (4) rivnuts on the right side panel of every mass spec workbench so that **ANY** model of the quantum mass spec bench line can receive a GC kit. The kit includes adjustable straps to secure the gas tank to the side of the workbench. (2) cylinders can be secured to the GC kit.

Gas chromatography mass spectrometry (GC-MS) is an application of mass spectrometry that requires cylinder storage tanks to be located nearby. The GC kit allows the user to secure gas tanks to the right side of the mass spec bench.

## CONFIGURATIONS & TECHNICAL FEATURES

HEIGHT	WIDTH	DEPTH	WEIGHT RANGE*	COLOR
30", 33", 36"	60", 72", 84", 96"	30", 34"	331-502 lbs *VARIES BASED ON CONFIGURATION	VARIES

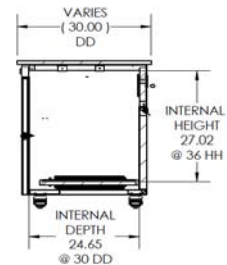
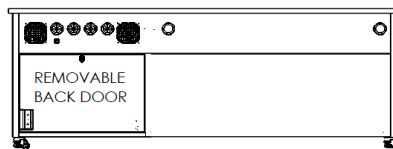
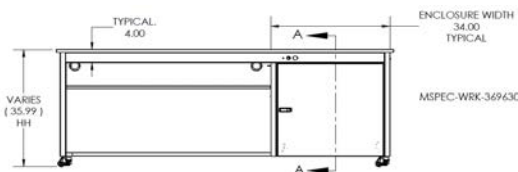
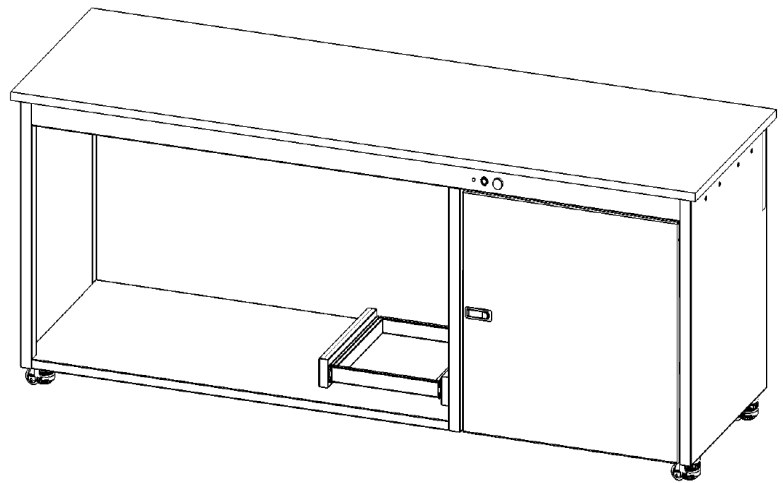
# LC Bench

SKU: MSPEC-LC-HHWWDD

Model Shown: MSPEC-LC-369630

## Features

- Standard 1" Lab Grade Phenolic Resin (Black) & Top Tray Surface
- Pull Out & Locking Pump Tray: 23.5" (W) x 21" D
- Sound Dampening Foam
- Temperature Sensors & Fail-Safe Alarm
- Rear Mounted Power Supply
- LED Light Start/Stop Switch
- (2) 205 CFM Fans
- (4) Grommet Holes
- GDR Casters
- Liquid Waste Tray
- Removable Back Door
- 5 Year Warranty



The LC Bench model comes with an LC kit that requires a full depth lower shelf in the knee space and features a welded-in pull-out tray to store a liquid waste container. The pull-out tray is 13.75" wide and 18" deep internally.

Liquid chromatography-mass spectrometry (LC-MS) is an application of mass spectrometry that requires a liquid solvent and produces waste from the liquids used. There are special storage containers that hold the waste made by the LC-MS process, and the pull-out tray is included to hold the waste containers.

\*LC Kit cannot be applied to a mass spec bench with a width less than 60".

## CONFIGURATIONS & TECHNICAL FEATURES

HEIGHT	WIDTH	DEPTH	WEIGHT RANGE*	COLOR
30", 33", 36"	60", 72", 84", 96"	30", 34"	528.38-817.63 lbs *VARIES BASED ON CONFIGURATION	VARIES



# Powder-Coat Options

RAL Colors



## NEED A CUSTOM COLOR?

Want a color you do not see? No worries we can help you get virtually any color for your casework. Let us know and we will do our best to get you virtually any color in the color wheel and even those that are not too. Our fabrications can be faced with a wide selection of hues and finishes, from bold to subdued. **Note: Available Upon Request; some colors may require a minimum order.**

## Accessories



Accessory compatibility will vary per mass spec bench configuration.

## CONTACT US

1112 Swenson Blvd, Elgin, Texas 78621 | (866) 612-7312

[www.onepointesolutions.com](http://www.onepointesolutions.com) | [info@onepointesolutions.com](mailto:info@onepointesolutions.com)

## NATIONWIDE SERVICE

Though headquartered in Texas, our services have touched several clientele across the country. Our projects can be found in: New York, Chicago, Los Angeles, San Antonio, Dallas, Houston, Atlanta, Cheyenne, Des Moines, San Diego, Washington DC, San Francisco, Nashville, Honolulu, and just about everywhere else.

Want to view a reference project in your area? Just ask!



# ONEPOINTE SOLUTIONS

(866) 612-7312

[www.onepointesolutions.com](http://www.onepointesolutions.com)