

ONEPOINTE SOLUTIONS

PRESENTS

# PRODUCT INSTRUCTIONS



HOW TO GUIDES TO SUCCESSFULLY AND EFFICIENTLY  
INSTALL OUR PRODUCTS

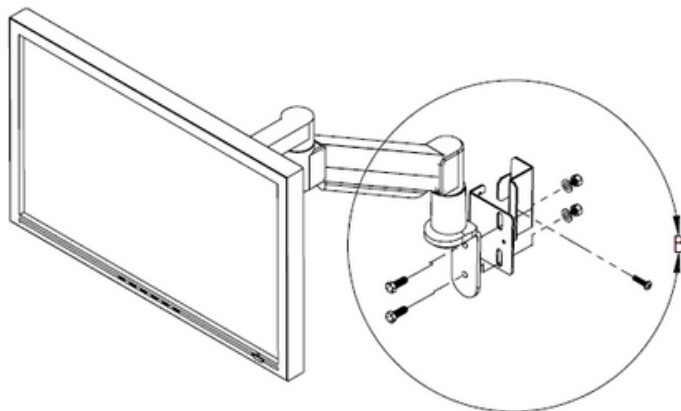
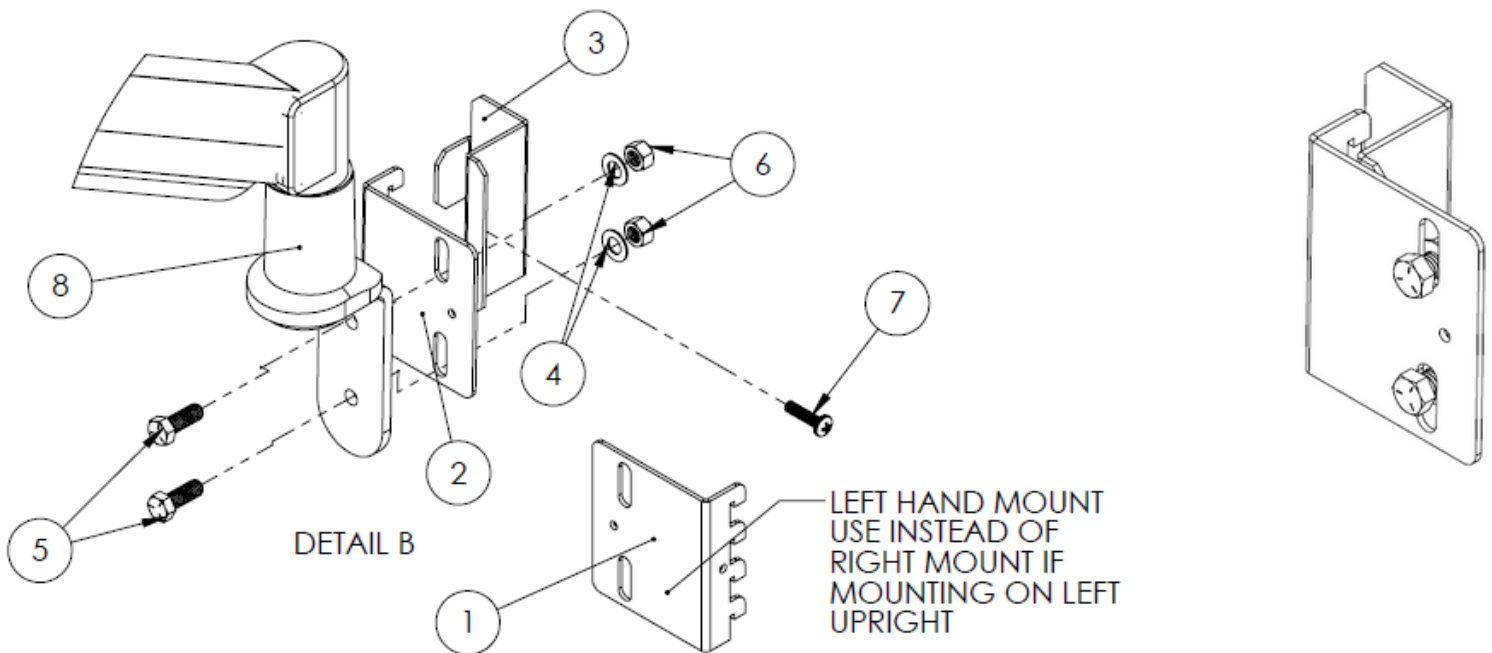
## 7 FLEX



# 7 FLEX

## INSTRUCTIONS

1. Slip post mount (3) over upright and slide down upright.
2. Clip upright mount (left (1) or right (2)) in desired location on upright.
3. Insert 1" screw (7) through the hole on the side of post mount part B (3) and thread into the threaded hole in left mount (1) or right mount (2) and tighten until mount clamps against side of upright
4. Using 1" bolts (5) washers (4) and nuts (6) attach 7FLEX monitor arm to the slotted of the mount and tighten until secure.



ITEM NO.	PART NUMBER	DESCRIPTION	QTY.
1	7FMP-L	7 FLEX SLOTTED UPRIGHT MOUNT LEFT	1
2	7FMP-R	7 FLEX SLOTTED UPRIGHT MOUNT - RIGHT	1
3	WBPMC	POST MOUNT PART B	1
4	33008	3/8" x 1.000" OD Low Carbon Zinc Finish Steel USS General Purpose Flat Washer	2
5	13105	3/8"-16 x 1" Grade 5 Zinc Finish Hex Cap Screw	2
6	37024	3/8"-16 Grade 2 Zinc Finish NE Steel Nylon Insert Lock Nut	2
7	BOLT .25 X 1 - 12449- PACKING STATION - 630	PH SCREW 1/4-20 X 1"	1
8	INNO-7FLEX	7-Flex LCD Arm - Upright Mounted - PREP FOR UNISTRUT MOUNTING	1



# CONTACT INFORMATION

For any questions or concerns contact us

(866) 612-7312

[info@onepointesolutions.com](mailto:info@onepointesolutions.com)

1112 Swenson Blvd.

Elgin, Texas 78621

