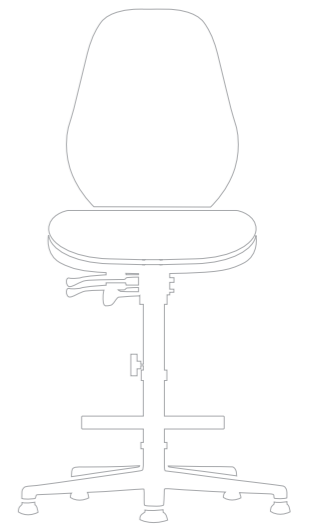


ESD Basic

The tried-and-tested all-rounder for use in ESD areas

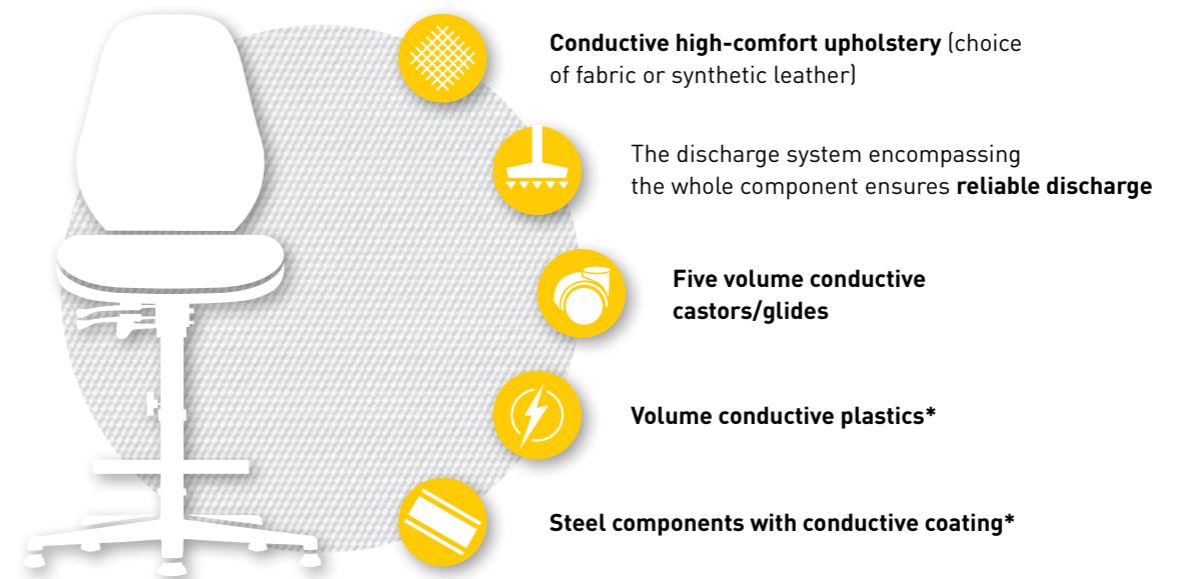
ESD Basic is the low-cost ESD model from bimos which provides excellent value for money: With its ergonomic design, high standard of user comfort and reliable ESD protection



system that ensures a discharge resistance in accordance with EN 61340-5-1, it has all the essential attributes of a high-performance workplace chair that has been designed specifically for the electronics industry.



The characteristics of the bimos ESD protection system

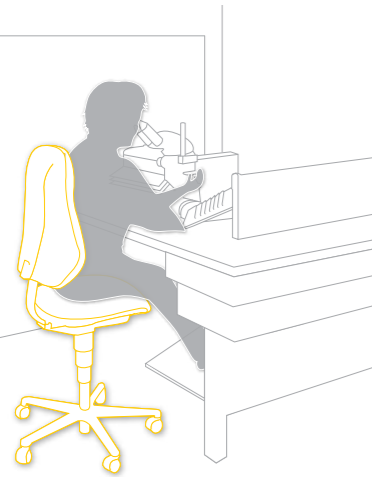


* These features only apply in the case of the ESD plus option.

Available in two different frame colours



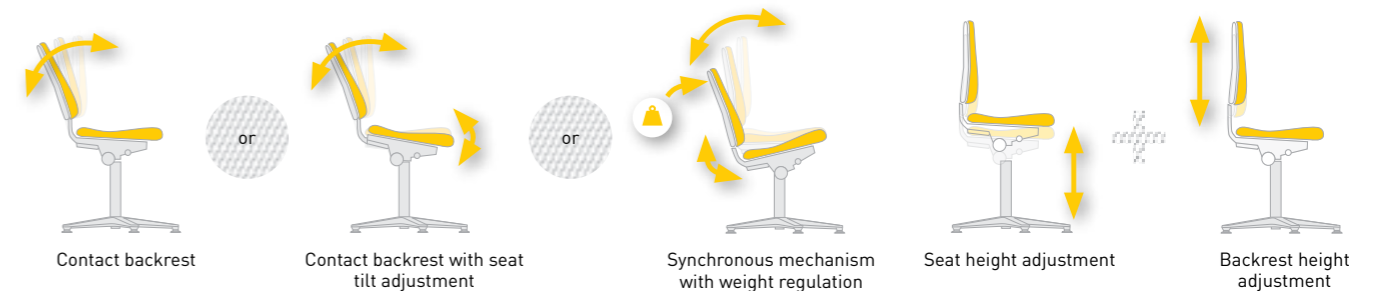
ESD Basic



Design and materials

ESD Basic has conductive covers. It features a sturdy five-legged base frame with flat lines, which is made from epoxy-resin coated sectional steel tubing and provides good stability. The frame is available in either black or light grey.

Mechanisms and functions (for precise details, see pages 16-17)



Options



Polished aluminium 5 star base Light grey frame ESD plus option

Accessories (for precise details, see page 141)



Ring-shaped armrest, black Ring-shaped armrest, light grey ESD multi-function armrest Foot ring

Upholstery finish and colour options

Finish Black Blue Grey Red

Duotec ESD fabric				
Order no.	9801	9802	9811	9803

Skai ESD synthetic leather	
Order no.	2571



ESD Basic 1 with glides

Seat height adjustment range*: 470 to 610 mm.

Design	Height of backrest	Order no.
Contact backrest	430 mm	9150E-Colour no.
Contact backrest with tilting seat	530 mm	9154E-Colour no.
Synchronous mechanism with weight regulation	530 mm	9157E-Colour no.

* 20 mm increase in seat height with the synchronous mechanism.



ESD Basic 2 with castors

Seat height adjustment range*: 470 to 610 mm.

Design	Height of backrest	Order no.
Contact backrest	430 mm	9151E-Colour no.
Contact backrest with tilting seat	530 mm	9155E-Colour no.
Synchronous mechanism with weight regulation	530 mm	9158E-Colour no.

* 20 mm increase in seat height with the synchronous mechanism.



ESD Basic 3 with glides and step

Seat height adjustment range*: 620 to 870 mm.

Design	Height of backrest	Order no.
Contact backrest	430 mm	9152E-Colour no.
Contact backrest with tilting seat	530 mm	9156E-Colour no.
Synchronous mechanism with weight regulation	530 mm	9159E-Colour no.

* 20 mm increase in seat height with the synchronous mechanism.