

LAB TABLES

PRODUCT INFO

(866) 612-7312

INFO@ONEPOINTESOLUTIONS.COM

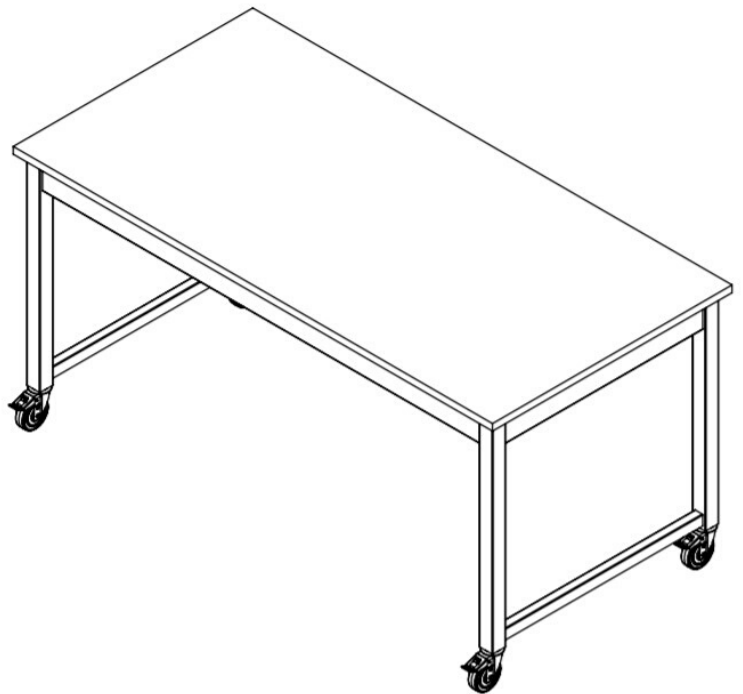
 **ONEPOINTE SOLUTIONS**

Lab Tables

At OnePointe Solutions, we offer a wide variety of work stations to choose from that best fit your environment. With our work stations, you can protect your analytical instruments, increase the quality of your work surfaces, sit comfortably with ergonomic lab seating and get a quote that fits your budget.

Pick from different work surfaces, custom finishes, builds and styles that best fit your needs. We provide the following styles for your work environment(s):

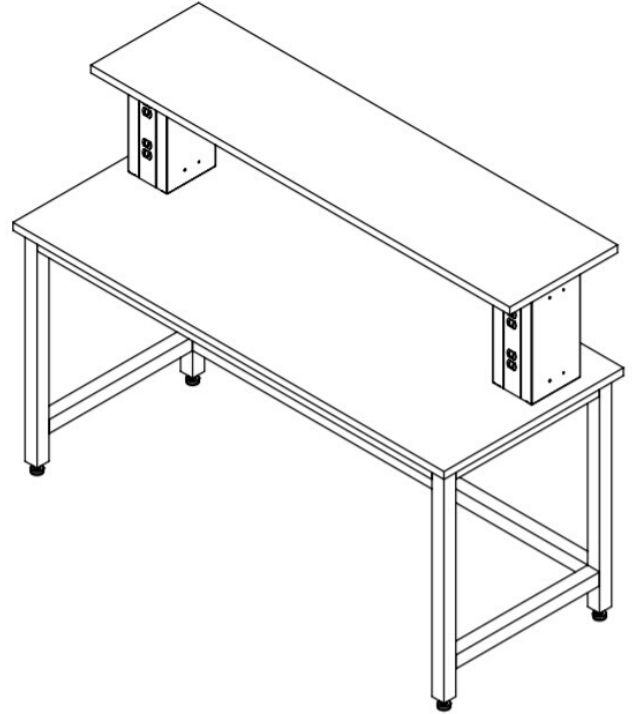
- Lab Islands
- Stainless Steel Lab Tables
- Lab Benches
- Lab Microscope Tables
- Lab Carts for Equipment
- Lab Classroom Tables
- ESD Tables
- Packing/Warehouse Tables



Lab Tables

Surface Options:

- Epoxy Resin
- Phenolic Resin
- Stainless Steel
- Maple Block
- ESD Laminate
- HDPE



Foot Options:

- Heavy Duty Nylon Leveler
- Anti-Vibration Leveler
- Total Locking Caster
- Leveling Caster
- Plate Caster
- Plate Leveling Caster
- Heavy Duty Leveling Caster
- Anchor Foot
- Manual Adjustable Legs
- Handcrank Hydraulic Legs
- Leg Boot
- Leveler Anchor
- Suspension Caster

Color Options

At OnePointe Solutions, we can have a multitude of colors you can choose from to design and customize your lab furniture.

We carry the following colors on hand below:



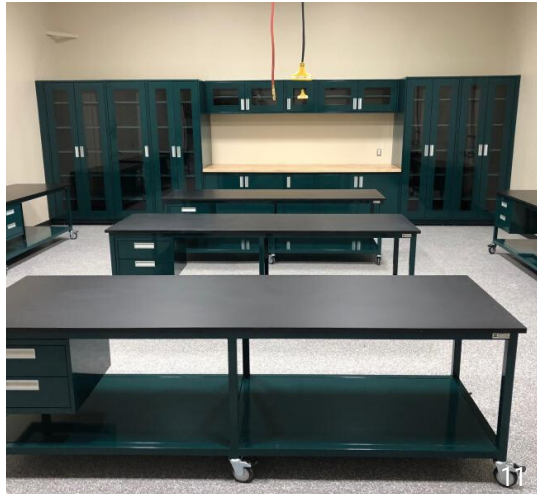
Need a custom color?

A certain red? Deeper blue? Darker white? We'll help you get any color in the color wheel (and even those that aren't). Our fabrications can be faced with a wide selection of hues and finishes, from bold to subdued.

Gallery



Gallery



Thank You.

Give us a call at (866) 612-7312 or email info@onepointesolutions.com for help selecting the right lab furniture for your project.

(866) 612-7312

INFO@ONEPOINTESOLUTIONS.COM

 ONEPOINTE SOLUTIONS