

INSTRUMENTATION CARTS

PRODUCT INFO

(866) 612-7312

INFO@ONEPOINTESOLUTIONS.COM

 **ONEPOINTE SOLUTIONS**

Instrumentation Carts

We provide custom tailored solutions for complex lab instrumentation including Mass Spectrometry/LC/GC/HPLC equipment. If you have an instrument shipping soon, we can rush order a specialized bench or cabinet to house it.



We partner directly with Sciex, Agilent, and Shimadzu to provide our lab carts and benches.

Accessories and features:

- Sound Dampening Enclosures
- LCD Arms
- Power and Data Connections
- Waste Disposal Compartments
- Fan Cooling Systems
- Vacuum Pump Vibration Rack & Solvent Storage

Cart Materials:

- Stainless Steel
- Metal

Surface Options:

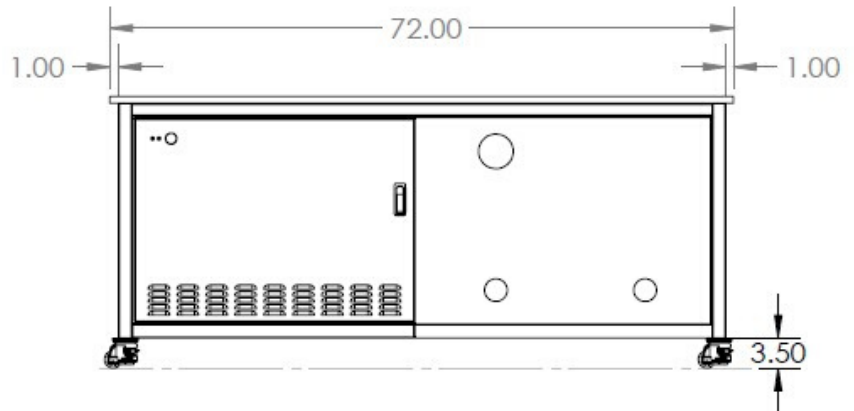
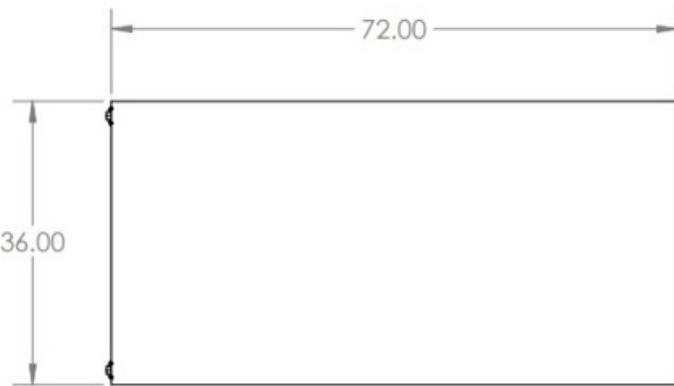
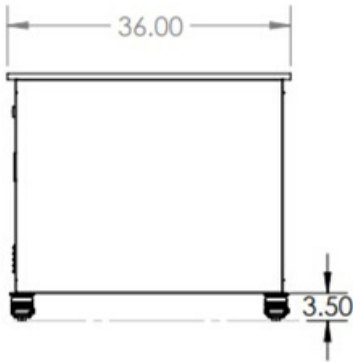
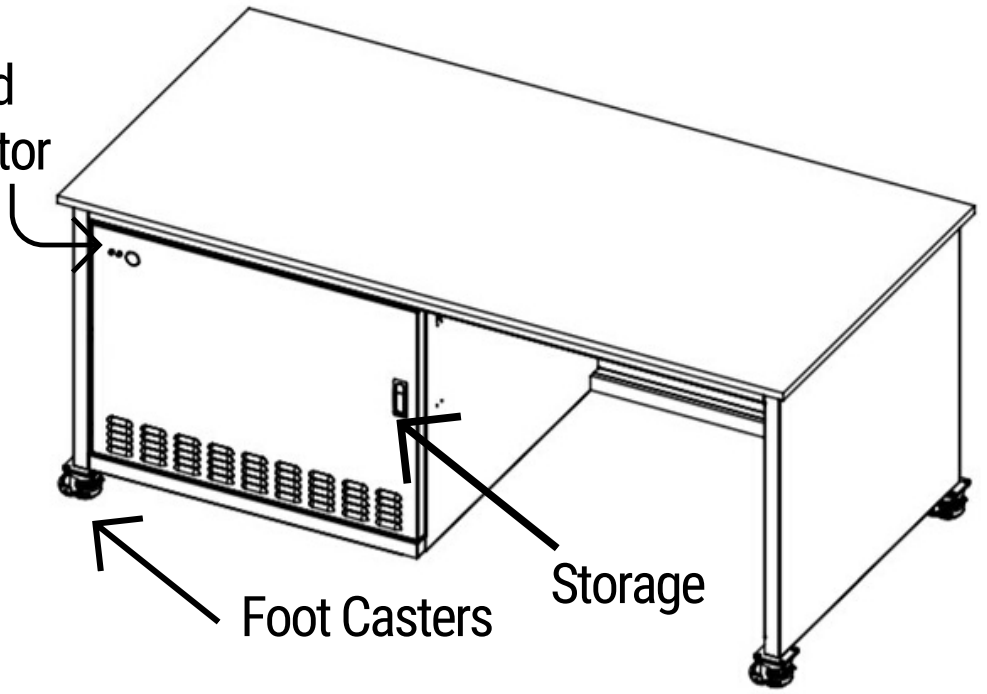
- Epoxy Resin
- Phenolic Resin
- Solid Surface
- Stainless Steel
- Maple

Past Custom Designs

Former Client*

The client was an agrochemical and agricultural biotechnology corporation.

Audible and
Visual Indicator

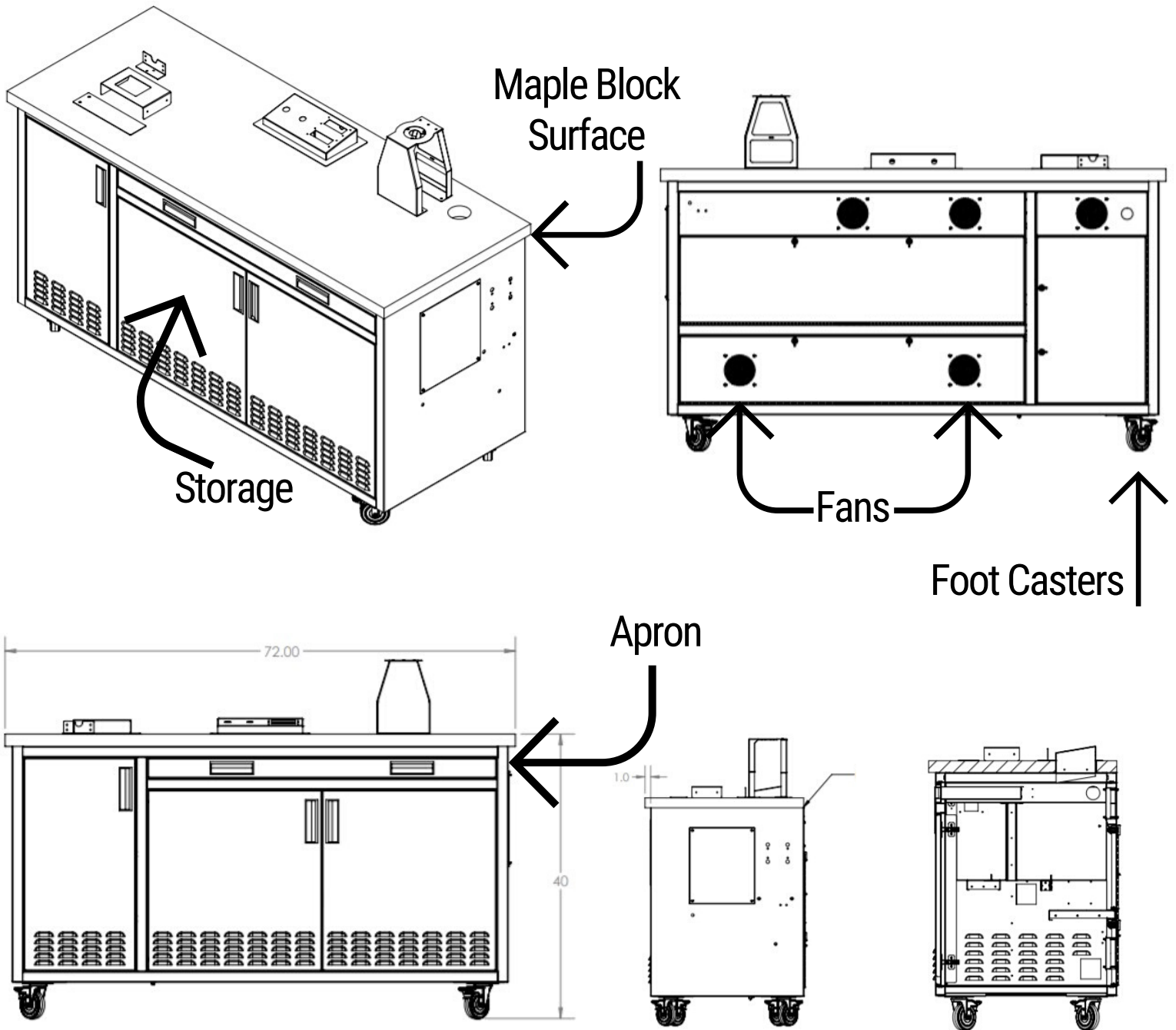


* Client did not give us permission to use their company name.

Past Custom Design

Mine Survival, Inc.

Mine Survival, Inc. is a manufacturer of cutting edge surface rebreathers.



Gallery



Gallery



Thank You.

Give us a call at (866) 612-7312 or email info@onepointesolutions.com for help selecting the right lab furniture for your project.

(866) 612-7312

INFO@ONEPOINTESOLUTIONS.COM

 ONEPOINTE SOLUTIONS